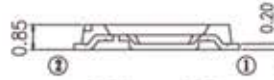
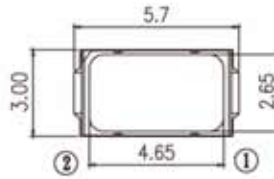
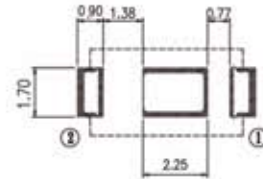
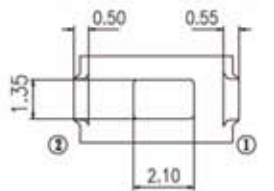


# PLCC SERIES

## Middle POWER LEDs

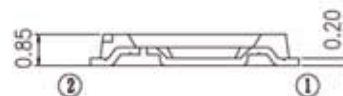
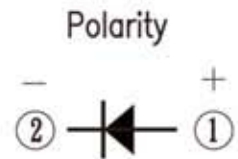
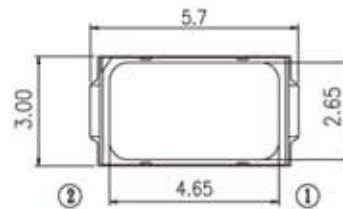


recommended soldering pad

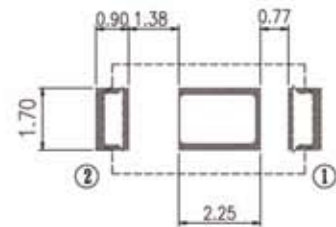
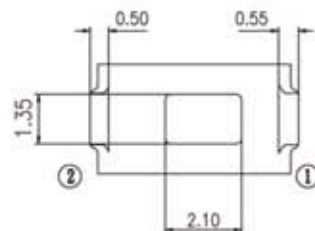


Product	Dimension(mm)	Color	CCT(°K)	If(mA)	Vf(V)	IV(lm)	CRI(%)	W
PO-TS5630XWSN-A01	5.6x3.0x0.9	Cool White	4745-7040	150	2.9-3.6	45-70	70	0.5
		Neutral White	3710-4745	150	2.9-3.6	45-70		
		Warm White	2580-3710	150	2.9-3.6	45-70		
PO-TS5630XWSN-D01	5.6x3.0x0.9	Cool White	4745-7040	150	2.9-3.6	40-65	80	0.5
		Neutral White	3710-4745	150	2.9-3.6	45-70		
		Warm White	2580-3710	150	2.9-3.6	35-60		

## Middle POWER LEDs



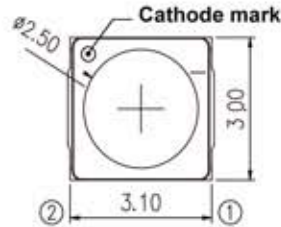
recommended soldering pad



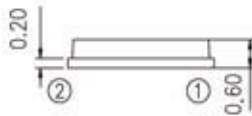
Product	Dimension(mm)	Color	CCT(°K)	If(mA)	Vf(V)	IV(lm)	CRI(%)	W
PO-TS2835XWSN-A01 (0.5W)	2.8x3.5x0.72	Cool White	4745-7040	150	2.9-3.6	45-70	70	0.5
		Neutral White	3710-4745	150	2.9-3.6	45-70		
		Warm White	2580-3710	150	2.9-3.6	40-70		
PO-TS2835XWSN-D01 (0.5W)	2.8x3.5x0.72	Cool White	4745-7040	150	2.9-3.6	40-65	80	0.5
		Neutral White	3710-4745	150	2.9-3.6	40-65		
		Warm White	2580-3710	150	2.9-3.6	35-60		

# PLCC SERIES

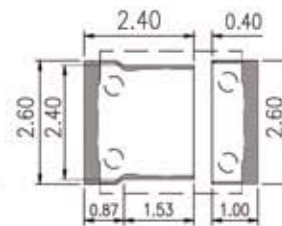
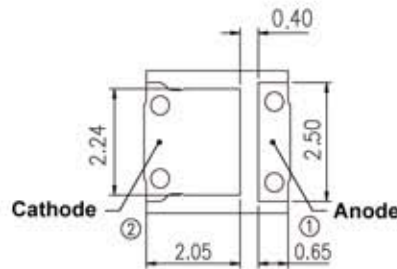
## High POWER LEDs



### Polarity

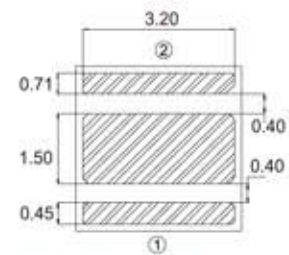
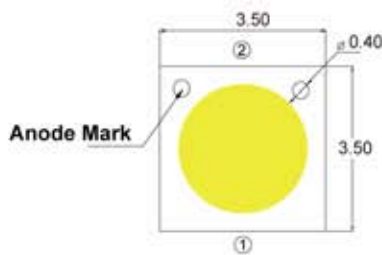


recommended soldering pad

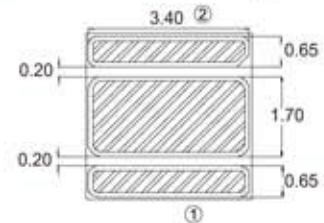
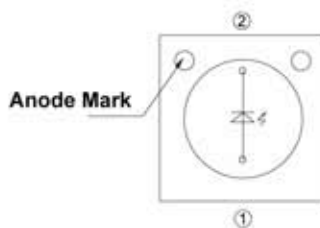


Product	Dimension(mm)	Color	CCT('K)	If(mA)	Vf(V)	IV(lm)	CRI(%)	W
PO-TB3030XWSN-D01	3.0x3.0x0.6	Cool White	4745-7040	150	6.0-7.2	80-140	80	1
		Neutral White	3710-4745	150	6.0-7.2	80-140		
		Warm White	2580-3710	150	6.0-7.2	80-140		

## High POWER LEDs



recommended soldering pad

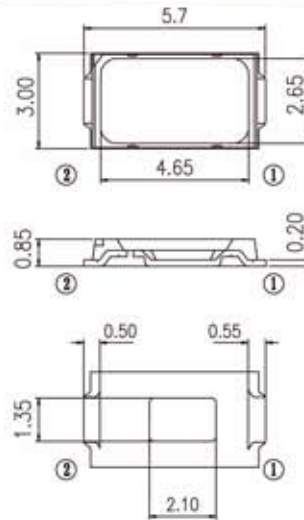


Product	Dimension(mm)	Color	CCT('K)	If(mA)	Vf(V)	IV(lm)	CRI(%)	W
PO-MT3535XWSN-D01	3.5x3.5x2.0	Cool White	4745-7040	350	2.9-3.6	80-140	80	1
		Neutral White	3710-4745	350	2.9-3.6	80-140		
		Warm White	2580-3710	350	2.9-3.6	80-140		



# PLCC SERIES

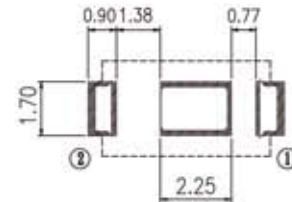
## SMD LEDs



### Polarity

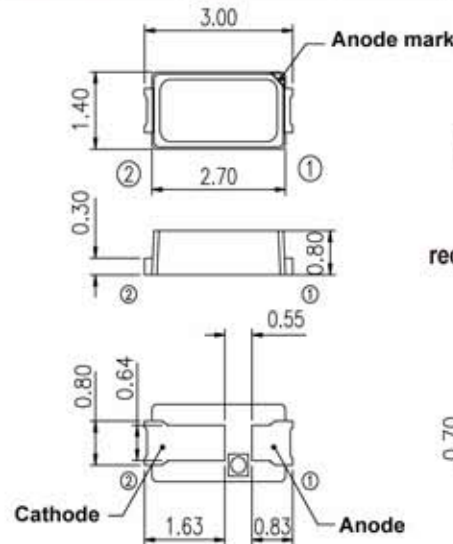


### recommended soldering pad



Product	Dimension(mm)	Color	CCT(K)	If(mA)	Vf(V)	IV(lm)	CRI(%)	W
PO-TS2835XWSN-A01	2.8x3.5x0.72	Cool White	4745-7040	60	2.9-3.6	20-32.5	70	0.2
		Neutral White	3710-4745	60	2.9-3.6	20-32.5		
		Warm White	2580-3710	60	2.9-3.6	17.5-30		
PO-TS2835XWSN-D01	2.8x3.5x0.72	Cool White	4745-7040	60	2.9-3.6	20-30	80	0.2
		Neutral White	3710-4745	60	2.9-3.6	20-30		
		Warm White	2580-3710	60	2.9-3.6	17.5-27.5		

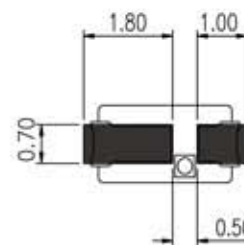
## SMD LEDs



### Polarity



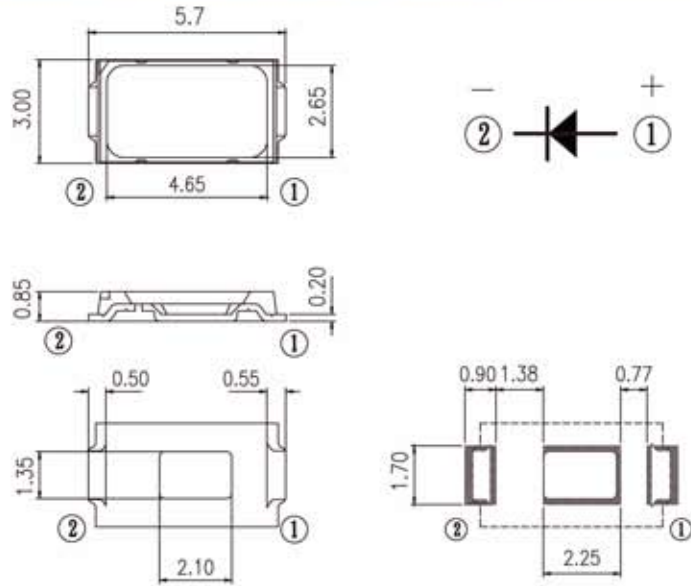
### recommended soldering pad



Product	Dimension(mm)	Color	CCT(K)	If(mA)	Vf(V)	IV(lm)	CRI(%)	W
PO-TS3014XWSN-A01 (0.2W)	3.0x1.4x0.8	Cool White	4745-7040	60	2.9-3.6	20-32.5	70	0.2
		Neutral White	3710-4745	60	2.9-3.6	20-32.5		
		Warm White	2580-3710	60	2.9-3.6	17.5-32.5		
PO-TS3014XWSN-D01 (0.2W)	3.0x1.4x0.8	Cool White	4745-7040	60	2.9-3.6	20-32.5	80	0.2
		Neutral White	3710-4745	60	2.9-3.6	20-32.5		
		Warm White	2580-3710	60	2.9-3.6	17.5-32.5		
Product	Dimension(mm)	Color	CCT(K)	If(mA)	Vf(V)	IV(mcd)	CRI(%)	W
PO-TS3014XWSN-D01	3.0x1.4x0.8	Cool White	4745-7040	20	2.9-3.6	1700-2600	80	0.1
		Neutral White	3710-4745	20	2.9-3.6	1700-2600		
		Warm White	2580-3710	20	2.9-3.6	1550-2350		

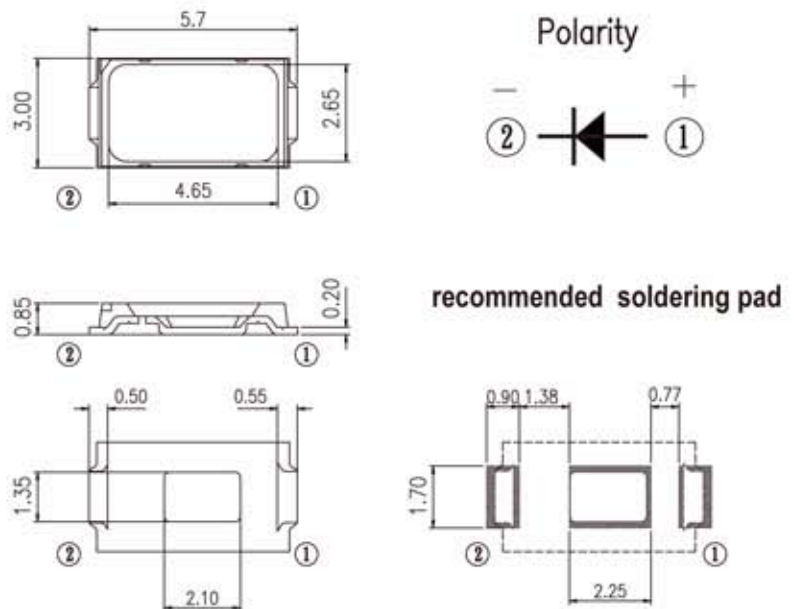
# PLCC SERIES

## High Voltage LED



Product	Dimension(mm)	Color	CCT('K)	If(mA)	Vf(V)	IV(lm)	CRI(%)	W
PO-TS5730XWSN-D01-HV	5.7x3.0x0.85	Cool White	4745-7040	20	22-27	40-65	80	0.5
		Neutral White	3710-4745	20	22-27	40-65		
		Warm White	2580-3710	20	22-27	35-60		

## Plant LED



Product	Dimension(mm)	Color	CCT('K)	If(mA)	Vf(V)	IV(lm)	CRI(%)	W
PO-TT2835NWSN-E01	2.8x3.5x0.72	Neutral White	3710-4745	20	7.4-8.4	20-32.5	90	0.17